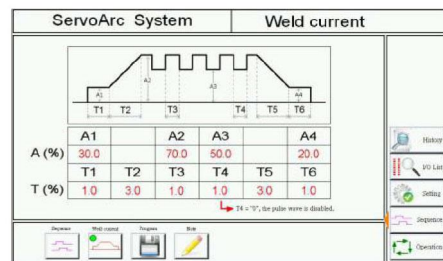
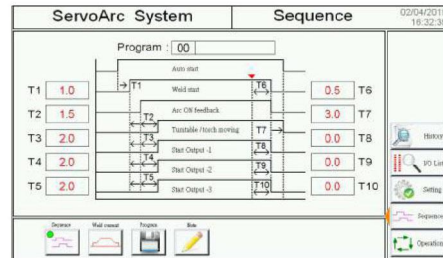


ServoArc Welding System CB-500 & CB-600 Controller



● Sequence setting

To facilitate welding automation, Weldlogic introduces the new ServoArc control system, CB-500.

The entire ServoArc series employ SERVO MOTOR to achieve a more stable and accurate welding process.

ServoArc series integrated with CB-500 or CB-600 controller provide the best welding experience.

User can easily preset welding process, welding speed and current through intuitive HMI.

The newly added remote pendant provides on-line welding process modification.

FEATURES

Quality : Product with performance.

Efficiency : Save/load welding parameters for rapid welding preparation.

Reliability : Welding sequence and welding current can be saved.

Convenience : Set all welding parameters on controller.

Easy : Programmable logic controller with touch panel and remote pendant.

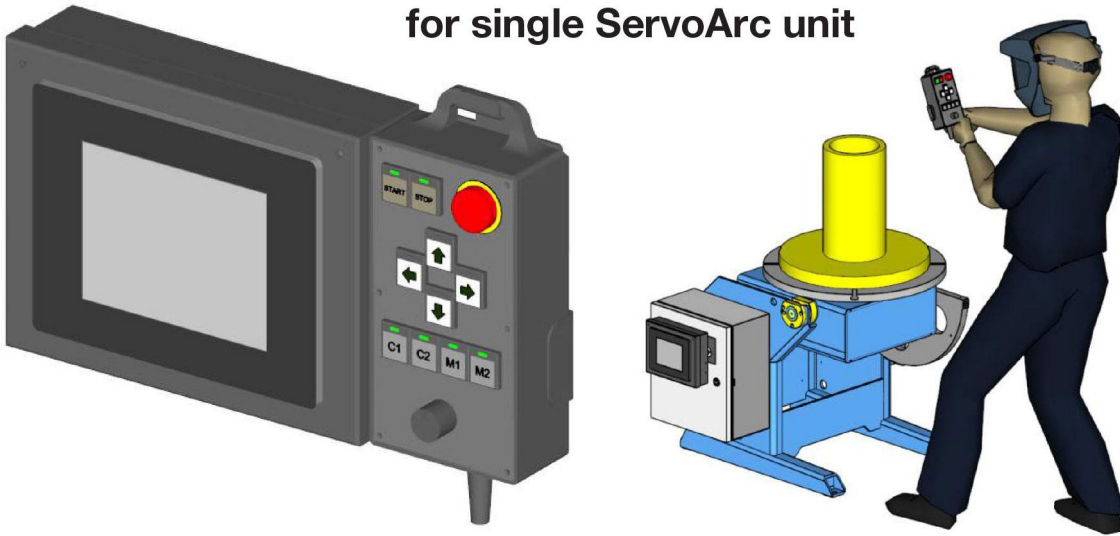
Powerful : Connect any welder by 0-10V analog interface

Accuracy : Positioning accuracy within 0.1mm, and speed accuracy within 0.01%

High speed dynamic range (up to 1000), stable welding speed pair with fast positioning speed for decreasing cycle time.



CB-500 Controller for single ServoArc unit



CB-500 controller can accurately perform welding procedure to the millisecond. Combined with an intuitive 7" HMI, user can easily preset and edit welding process parameters. The addition of remote pendant provides on-line welding speed overwrite and welding process modification (i.e. welding current or welding voltage).

CB-500 can also accommodate different welding power source including metal inner gas welding (MIG), tungsten inert gas welding (TIG), submerged arc welding (SAW), and plasma arc welding (PAW).

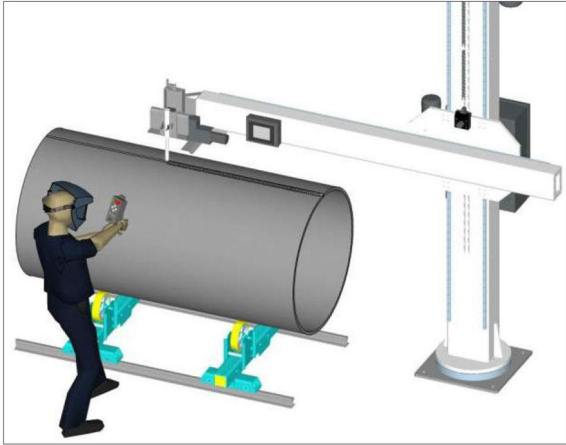
CB-500 can control any single ServoArc machine, i.e. control manipulator (MP) or side-beam (SB) to perform basic longitudinal welding; control positioner (PT), turn table (TT), or head & tail stock (HTS) to perform circumferential and step circumferential welding.

Features

- Robust PLC.
- Intuitive 7" HMI.
- Easy to use remote pendant.
- Accurate process timing.
- Save/load welding parameters for rapid welding preparation..
- 0-10V analog interface for welding power source current control.
- Positioning accuracy within 0.1mm provides accurate welding distance.
- Speed accuracy within 0.01% offer excellent welding performance.

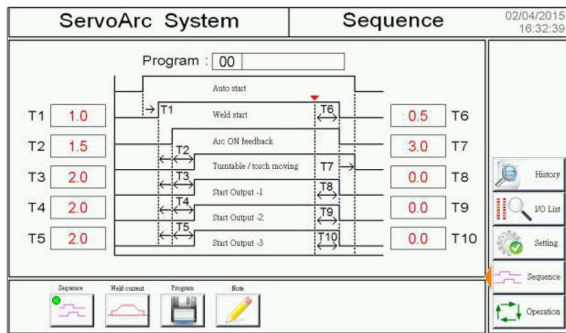


Application



ServoArc system: MP - 20 LS manipulator controlled by CB-500. The remote pendant allows user to adjust welding current and welding speed online (during welding).

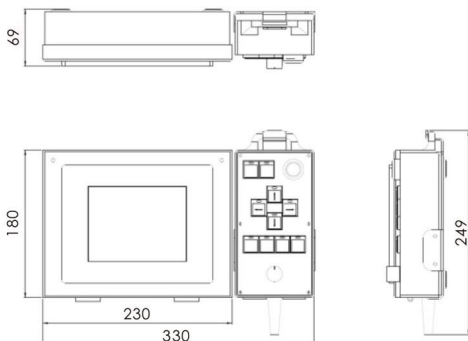
ServoArc system: PT-750S positioner with CB-500 controller.



Sequence setting

| Specification | | |
|------------------------------------|-----|--------------------------------|
| Power Requirement | | 100~240VAC, 50/60Hz |
| Operation Temperature | ° C | 0~50° C |
| Operation Humidity | % | 50~95% |
| Storage Temperature | ° C | -20~60° C |
| HMI Display Size | | 7", 65536 color, 320 x 234 res |
| HMI Box Dimension | mm | 230 x 180 x 69 |
| Remote Pendant Dimension | mm | 100 x 250 x 69 |
| Maximum Servo Arc System Supported | | 1 |

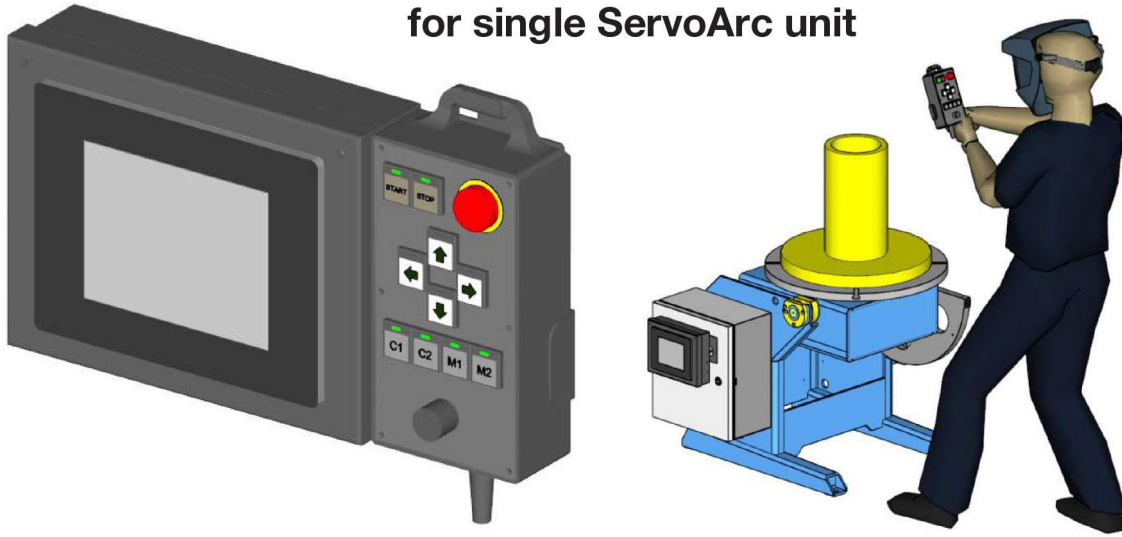
*Specifications subject to change without notice



*Specifications subject to change without notice



CB-500 Controller for single ServoArc unit



CB-500 controller can accurately perform welding procedure to the millisecond. Combined with an intuitive 7" HMI, user can easily preset and edit welding process parameters. The addition of remote pendant provides on-line welding speed overwrite and welding process modification (i.e. welding current or welding voltage).

CB-500 can also accommodate different welding power source including metal inner gas welding (MIG), tungsten inert gas welding (TIG), submerged arc welding (SAW), and plasma arc welding (PAW).

CB-500 can control any single ServoArc machine, i.e. control manipulator (MP) or side-beam (SB) to perform basic longitudinal welding; control positioner (PT), turn table (TT), or head & tail stock (HTS) to perform circumferential and step circumferential welding.

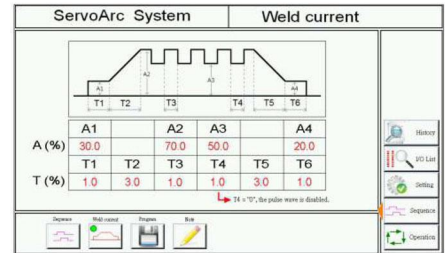
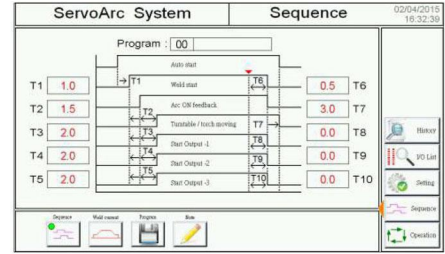
Features

- Robust PLC.
- Intuitive 7" HMI.
- Easy to use remote pendant.
- Accurate process timing.
- Save/load welding parameters for rapid welding preparation..
- 0-10V analog interface for welding power source current control.
- Positioning accuracy within 0.1mm provides accurate welding distance.
- Speed accuracy within 0.01% offer excellent welding performance.

Combined ServoArc system:

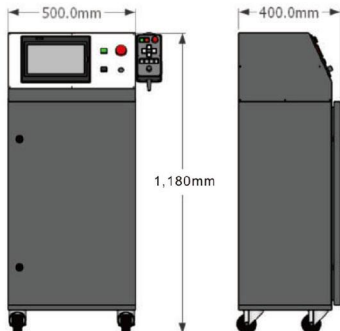
Manipulator + Positioner + CB-600 Controller.

Operator controls the rotation speed and welding current during operation.



| Specification | | |
|------------------------------------|-----|------------------------------------|
| Power Requirement | | 100~240VAC, 50/60Hz |
| Operation Temperature | ° C | 0~50° C |
| Operation Humidity | % | 50~95% |
| Storage Temperature | ° C | - 20~60° C |
| HMI Display Size | | 10.4", 65,536 color, 800 x 480 res |
| HMI Box Dimension | mm | 500 x 400 x 1,180 |
| Remote Pendant Dimension | mm | 100 x 250 x 69 |
| Maximum Servo Arc System Supported | | 2 |

*Specifications subject to change without notice





Welding Equipment

CB-500 controller is integrated with single unit: Manipulator, Positioner, Side-Beam, Head & Tail Stock and Turn Table. **CB-600 controller is integrated with pair units:** Manipulator + Positioner, Manipulator + Turn Table, SideBeam + Positioner, SideBeam + Turn Table, SideBeam + Head & Tail Stock.

| | CB-500 | CB-600 |
|----------------------------|--------|--------|
| Manipulator | ○ | |
| Positioner | ○ | |
| Side-Beam | ○ | |
| Head&Tail Stock | ○ | |
| Turn Table | ○ | |
| Manipulator+Positioner | | ○ |
| Manipulator+Turn Table | | ○ |
| SideBeam + Positioner | | ○ |
| SideBeam + Turn Table | | ○ |
| SideBeam + Head&Tail Stock | | ○ |

*Specifications subject to change without notice

Function

| | CB-500 | CB-600 |
|---|--------|---------|
| HMI | 7" HMI | 10" HMI |
| Remote Pendant | ○ | ○ |
| Welding Sequence Control | ○ | ○ |
| Welding Current Control | ○ | ○ |
| Save/Load Parameters | ○ | ○ |
| Manual Function | ○ | ○ |
| Positioning | ○ | ○ |
| Longitudinal Welding | ○ | ○ |
| Circumference Welding | ○ | ○ |
| Index Welding | ○ | ○ |
| User Defined Output *1 | ○ | ○ |
| Horizontal Step Circumferential Welding | | ○ |
| Vertical Step Circumferential Welding | | ○ |
| Horizontal Spiral Welding | | ○ |
| Vertical Spiral Welding | | ○ |

*1: user defined outputs for communication with optional welding system (i.e. oscillator or wire feeder)

*Specifications subject to change without notice

Weldlogic USA Engineering & Mfg.

2651 Lavery Court, Newbury Park
CA 91320, USA
Tel. (805) 498-4004 | Fax. (805) 498-1761

Weldlogic Europe

Blackstone Road, Huntingdon
Cambridgeshire, PE29 6EF, UK
Tel. 01480 437478 | Fax. 01480 437479