

## PWL-15-36" Precision Welding Lathes

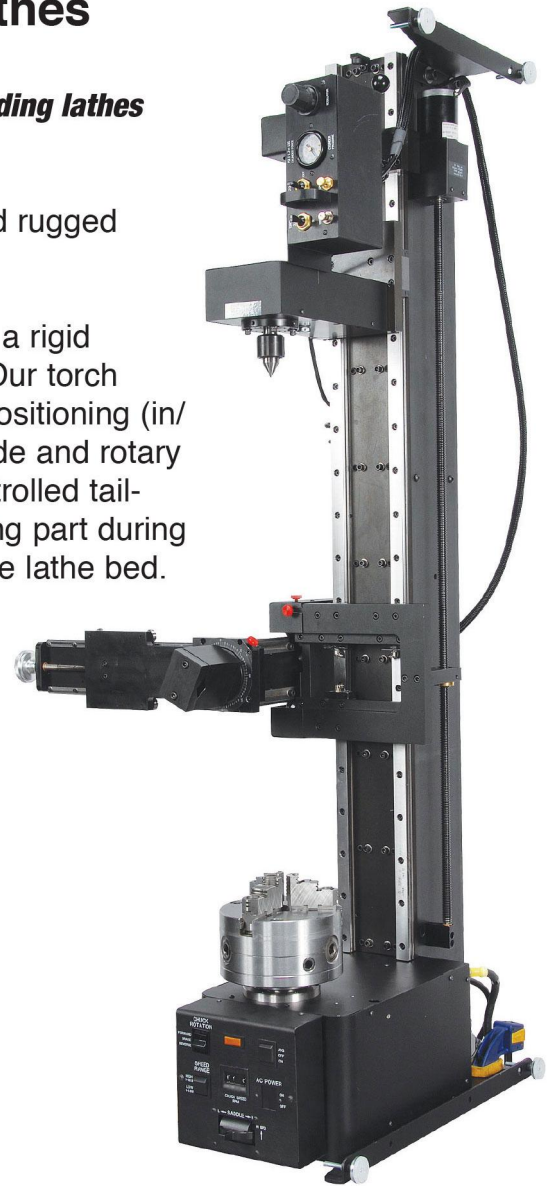
*With 30 years experience in designing and manufacturing welding lathes Weldlogic sets a new standard in positioner design.*

PWL Weld Lathes provide the most versatile, precision and rugged welding platform in the industry.

The innovative steel tube back bone construction provides a rigid open work area for part loading and automatic upgrades. Our torch tower is the most versatile available with features like air positioning (in/out) a motorized carriage along the bed plus adjustable slide and rotary positioner allowing torch entry from any angle. The air controlled tailstock provides clamping forces up to 170 pounds for holding part during welding and can be locked into position anywhere along the lathe bed.

### STANDARD FEATURES INCLUDE

- Vertical & Horizontal operation
- Square steel tube frame
- Lengths from 15" to 72" (work area)
- Welds diameters to 15"
- Precision headstock bearing
- Stainless steel spindle with 1.5" through bore
- Rotation speed .1 to 9.9 or 1 to 20
- Self centering 3-jaw chuck
- Motorized torch tower movement
- Air activated torch retract
- Quick positioning tailstock with lock
- Air activated live center with speed and pressure control
- 400 ampere ground



**PWL-15-36"**

